

# VAL BAS C CD

## VALUE Tap Range Lever Mono Basin Mixer With Pop Up Waste with Ceramic Disc Valves Chrome



### Features:

- Long life and easy to use 1/4 turn ceramic disc valves
- Metal fixing nut for added durability
- Supplied with 3" (76mm) metal lever handles

### Product Certifications:



WRAS Cert Number: 2001906  
WRAS Expiry Date: 31/01/2025



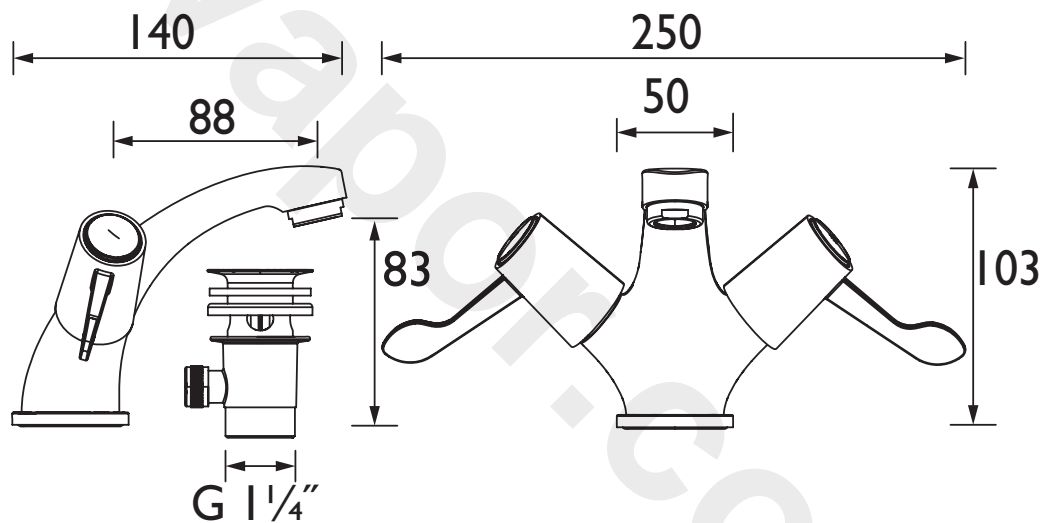
For more products, visit our website:  
<http://www.bristan.com>



### Specification

<b>Product Type:</b>	Bathroom Taps
<b>Main Construction Material:</b>	Brass
<b>Mount Type:</b>	Deck Mounted
<b>Handle Type:</b>	Lever Handles
<b>Connection Inlet:</b>	1/2" BSP Flexible Tails
<b>Connection Outlet:</b>	M24 Flow Straightener
<b>Number of Tap Holes:</b>	1
<b>Valve/Cartridge Type:</b>	1/2" Ceramic Disc Valve
<b>Plumbing System Requirements:</b>	Suitable for all plumbing systems
<b>Minimum Dynamic Pressure:</b>	0.2 Bar
<b>Maximum Dynamic Pressure:</b>	5.0 Bar
<b>Maximum Hot Water Temperature: °C</b>	65
<b>Maximum Static Pressure: (bar)</b>	10
<b>Flow Type:</b>	Single Flow
<b>Isolation Included:</b>	No

### Dimensions (measurements in mm)



### Flow Rates (l/min)

System Pressure (bar)	0.2	0.5	1	2	3	5
VAL BAS C CD	9.1	14.2	20	28.5	34.9	45.1

TECHNICAL  
DATA  
SHEET



**BRISTAN**

D9